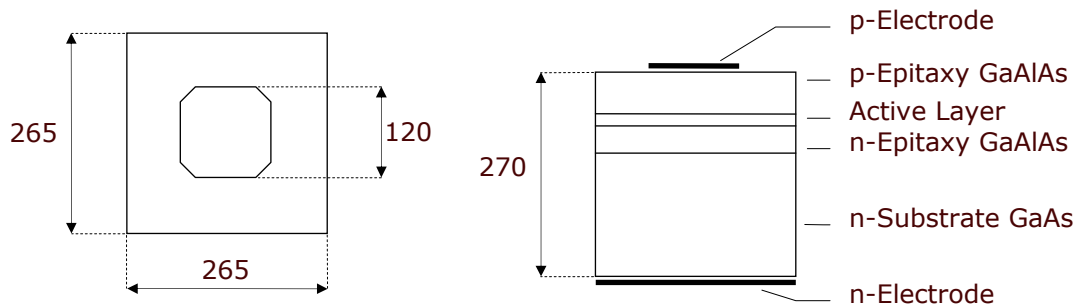


RED

Item No.: 114230

1. This specification applies to GaAlAs / GaAs LED Chips
2. Structure
 - 2.1 Mesa structure
 - 2.2 Electrodes

p-side (anode)	Au alloy
n-side (cathode)	Au alloy
3. Outlines (dimensions in microns)



Wire bond contacts can also be circular or square

4. Electrical and optical characteristics (T=25°C)

Parameter	Symbol	Conditions	min	typ	max	Unit
Forward voltage	V_F	$I_F = 20 \text{ mA}$		1,85	2,10	V
Reverse current	I_R	$V_R = 5 \text{ V}$			10	μA
Luminous intensity *	I_V	$I_F = 20 \text{ mA}$	9	12		mcd
		$I_F = 10 \text{ mA}$	4	6		
Peak wavelength	λ_p	$I_F = 20 \text{ mA}$		650		nm

Brightness measurement at OSA on gold plate

5. Packing

Dice on adhesive film with 1) wire bond side on top
2) back contact on top

6. Labeling

Type	Lot No.	I_V typ min max	Quantity