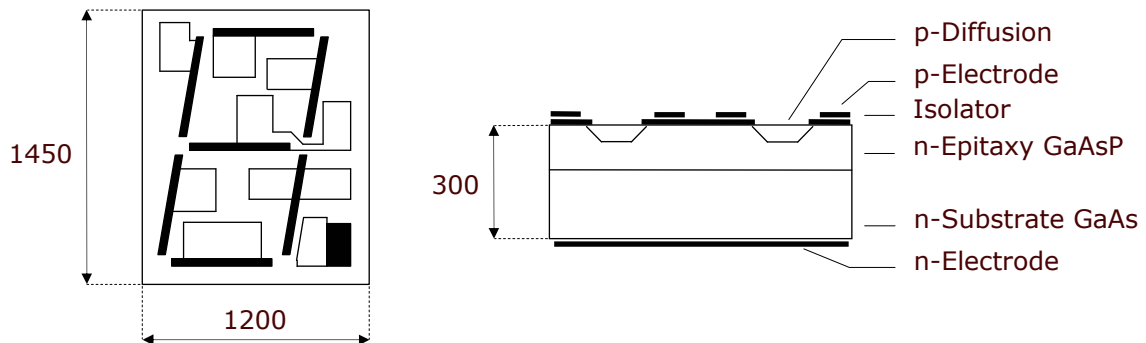


RED

Item No.: 105208

1. This specification applies to GaAsP / GaAs LED Chips
2. Structure
 - 2.1 Planar structure
 - 2.2 Electrodes

p-side (anode)	Al
n-side (cathode)	Au alloy
3. Outlines (dimensions in microns)



4. Electrical and optical characteristics (T=25°C)

Parameter	Symbol	Conditions	min	typ	max	Unit
Forward voltage	V_F	$I_F = 7 \text{ mA}$		1,65	1,84	V
Reverse voltage	V_R	$I_R = 10 \text{ } \mu\text{A}$	5			V
Luminous intensity	I_V	$I_F = 7 \text{ mA}$	150	200		μcd
Peak wavelength	λ_P	$I_F = 7 \text{ mA}$		660		nm

Brightness measurement at OSA on gold plate

5. Packing

Dice on adhesive film with wire bond side on top

6. Labeling

Type	Lot No.	I_V typ min max	Quantity